



**BUILDING CODE COMPLIANCE OFFICE (BCCO)
PRODUCT CONTROL DIVISION**

**MIAMI-DADE COUNTY, FLORIDA
METRO-DADE FLAGLER BUILDING
140 WEST FLAGLER STREET, SUITE 1603
MIAMI, FLORIDA 33130-1563
(305) 375-2901 FAX (305) 375-2908**

NOTICE OF ACCEPTANCE (NOA)

**Tristar Skylights, A Potter-Roemer Product
1830 N. Neville St.
Orange, CA 92865**

SCOPE:

This NOA is being issued under the applicable rules and regulations governing the use of construction materials. The documentation submitted has been reviewed by the BCCO and accepted by the Building Code and Product Review Committee (BCPRC) to be used in Miami Dade County and other areas where allowed by the Authority Having Jurisdiction (AHJ).

This NOA shall not be valid after the expiration date stated below. The BCCO (In Miami Dade County) and/or the AHJ (in areas other than Miami Dade County) reserve the right to have this product or material tested for quality assurance purposes. If this product or material fails to perform in the accepted manner, the manufacturer will incur the expense of such testing and the AHJ may immediately revoke, modify, or suspend the use of such product or material within their jurisdiction. BCPRC reserves the right to revoke this acceptance, if it is determined by BCCO that this product or material fails to meet the requirements of the applicable building code.

This product is approved as described herein, and has been designed to comply with the South Florida Building Code, 1994 Edition for Miami-Dade County or Florida Building Code.

DESCRIPTION: Series "1000" 3/8" Glass-Clad Polycarbonate and Aluminum Extrusions Skylight Systems

APPROVAL DOCUMENT: Drawing No. 0046549, titled "Missile Impact Test", sheets 1 through 8, prepared, signed and sealed by Frank Bennardo, P.E., dated 11/5/98, bearing the Miami-Dade County Product Control Renewal stamp with the Notice of Acceptance number and expiration date by the Miami-Dade County Product Control Division.

MISSILE IMPACT RATING: Large and Small Missile Impact

LABELING: Each unit shall bear a permanent label with the manufacturer's name or logo, city, state and following statement: "Miami-Dade County Product Control Approved", unless otherwise noted herein.

RENEWAL of this NOA shall be considered after a renewal application has been filed and there has been no change in the applicable building code negatively affecting the performance of this product.

TERMINATION of this NOA will occur after the expiration date or if there has been a revision or change in the materials, use, and/or manufacture of the product or process. Misuse of this NOA as an endorsement of any product, for sales, advertising or any other purposes shall automatically terminate this NOA. Failure to comply with any section of this NOA shall be cause for termination and removal of NOA.

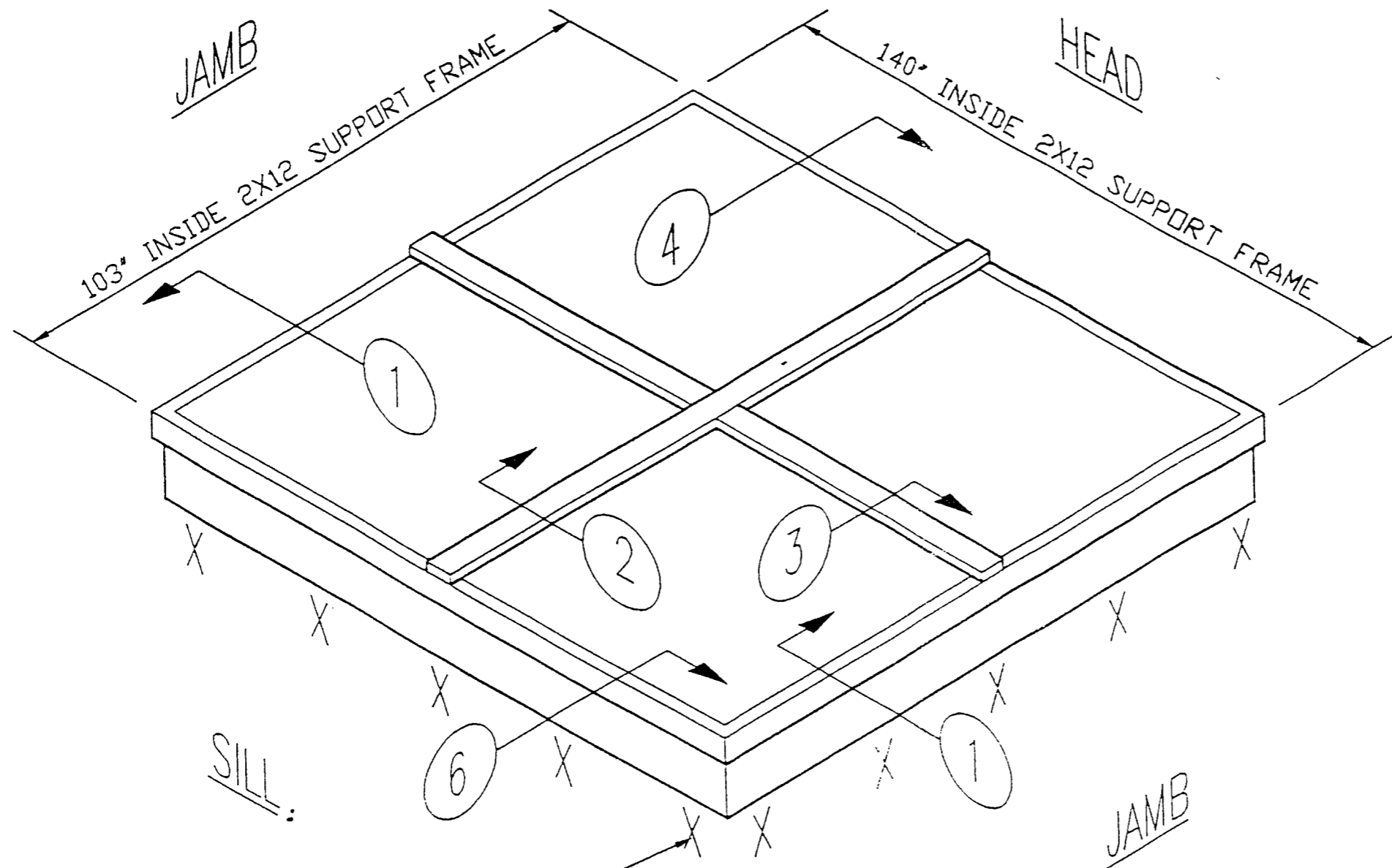
ADVERTISEMENT: The NOA number preceded by the words Miami-Dade County, Florida, and followed by the expiration date may be displayed in advertising literature. If any portion of the NOA is displayed, then it shall be done in its entirety.

INSPECTION: A copy of this entire NOA shall be provided to the user by the manufacturer or its distributors and shall be available for inspection at the job site at the request of the Building Official.

This NOA **renews NOA # 98-0331.01** and, consists of this page 1 as well as approval document mentioned above. The submitted documentation was reviewed by **Raul Rodriguez**.



**NOA No 01-1114.01
Expiration Date: December 10, 2006
Approval Date: March 7, 2002
Page 1**



ATTACHMENT CLIP
 ANGLES TYP. 4 SIDES

GLAZING PANEL SIZE = 48" X 67 5/8"

.060" THICK GE LEXAN POLYCARBONATE GLAZING COMPOSITE,
 WITH GLASS FACINGS FOR ABRASION PROTECTION ONLY.


PRODUCT RENEWED

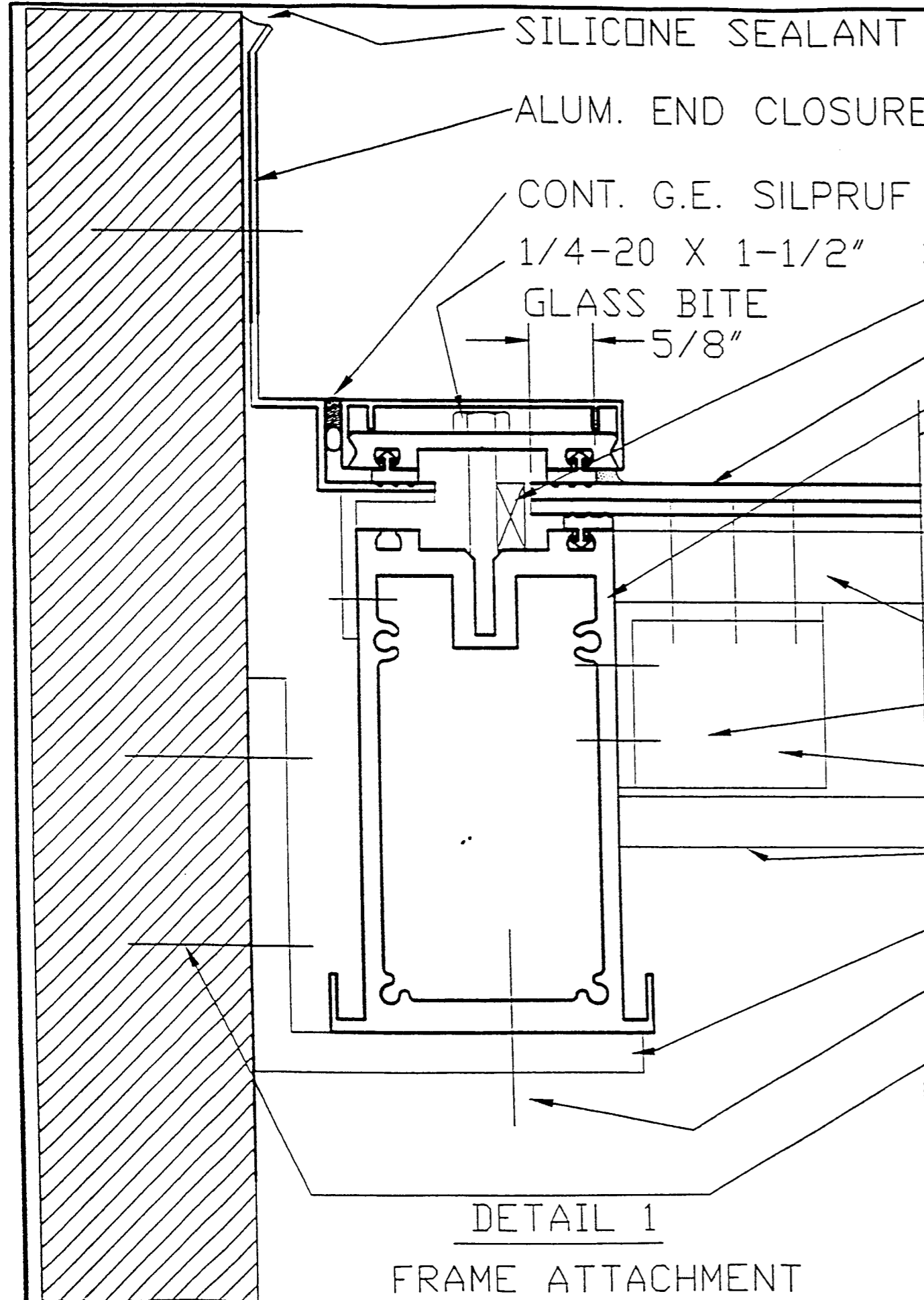
ACCEPTANCE No. 01-1114.01
 EXPIRATION DATE December 10, 2006
 By [Signature]
 PRODUCT CONTROL DIVISION
 BUILDING CODE COMPLIANCE OFFICE

APPROVED AS COMPLYING WITH THE
 SOUTH FLORIDA BUILDING CODE
 DATE December 10, 1998
 BY [Signature]
 PRODUCT CONTROL DIVISION
 BUILDING CODE COMPLIANCE OFFICE
 ACCEPTANCE NO. 98-0331-01

FEB 08 2007

FRANK L. BENNARDO, P.E.
 CONSULTING ENGINEER
 4441 NORTH DIXIE HIGHWAY
 BOCA RATON, FL 33431
 (561) 391-2888

FRANK L. BENNARDO, P.E. CONSULTING ENGINEER 4441 NORTH DIXIE HIGHWAY BOCA RATON, FL 33431 (561) 391-2888	REVISION PER METRO-DADE NOTES	10/31/98
	 TriStar skylights A POTTER-ROEMER Product Group (714)998-2097 (800)809-9995	OR. 4/23/97 REV. 11/05/98
PE 0046549	MISSILE IMPACT TEST	1 OF 8



SILICONE SEALANT

ALUM. END CLOSURE

CONT. G.E. SILPRUF SILICONE SEALANT TYP.

1/4-20 X 1-1/2" S.S. MACH. SCREW @ 8" o.c.

GLASS BITE

5/8"

GLAZING BLOCK

GLAZING PANEL

E.P.D.M.

ALUM. RAFTER w/ ~~SANTOPRENE~~ GASKETS **PRODUCT RENEWED**

ACCEPTANCE No. 01-1114-01
 EXPIRATION DATE December 10, 2006
 By [Signature]
 PRODUCT CONTROL DIVISION
 BUILDING CODE COMPLIANCE OFFICE

(3) #12 X 1-1/2" TEK SCREWS

(4) #12 X 2" TEK SCREWS

1 1/2" X 2" X 1/8" THK. CLIP ANGLE
 w/WELDED RETURNS ON 2 SIDES

PURLIN

3" X 3" X 1/4" ANGLE

1/4" X 1" STS (4)


3/8" X 3" LAG SCREWS (4)

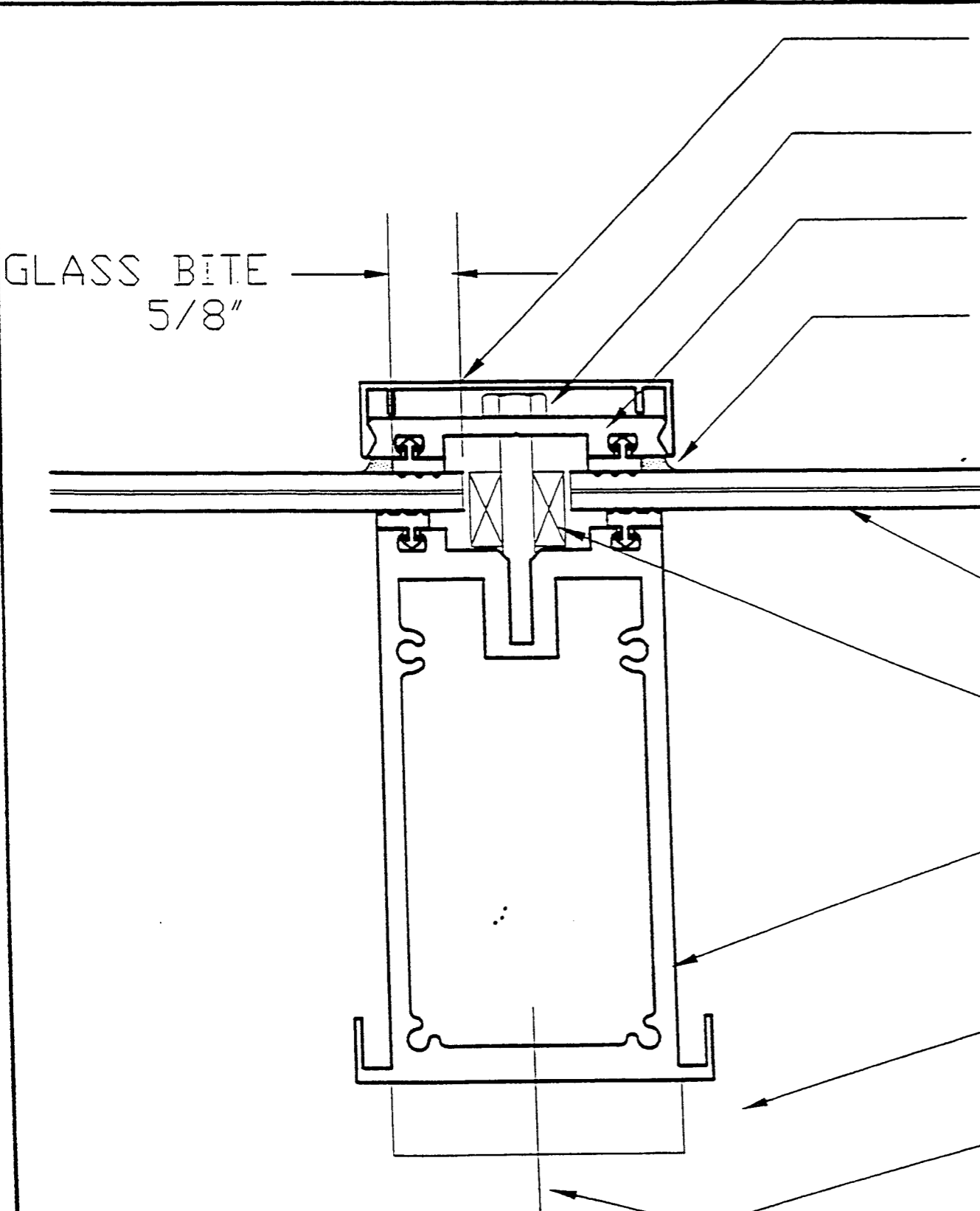
APPROVED AS COMPLYING WITH THE
 SOUTH FLORIDA BUILDING CODE
 DATE December 10, 1998
 BY [Signature]
 PRODUCT CONTROL DIVISION
 BUILDING CODE COMPLIANCE OFFICE
 ACCEPTANCE NO. 94-0331-01

FEB 08 2007
 FRANK L. BENNARDO, P.E.
 CONSULTING ENGINEER
 4441 NORTH DIXIE HIGHWAY
 BOCA RATON, FL. 33431
 (561) 391-2888

DETAIL 1

FRAME ATTACHMENT

FRANK L. BENNARDO, P.E. CONSULTING ENGINEER 4441 NORTH DIXIE HIGHWAY BOCA RATON, FL. 33431 (561) 391-2888	REVISION PER METRO-DADE NOTES	10/31/98
	 TriStar skylights A POTTER-ROEMER Product Group (714)998-2097 (800)609-9995	OR. 4/23/97 REV. 11/05/98
PE 0046549	MISSILE IMPACT TEST	2 OF 8



GLASS BITE
5/8"

- ALUM. SNAP COVER
- 1/4-20 X 1-1/2" ST. STL. MACH SCREW @ 8" OC
- ALUM. PRESSURE BAR w/E.P.D.M. GASKETS
- CONT. G.E. SILPRUF SILICONE CAP SEAL

- GLAZING PANEL
- GLAZING BLOCK
- ALUM. RAFTER w/E.P.D.M. GASKETS
- 1/2" STEEL BAR STIFFENER *
- 1/4" X 1-1/2" STS @ 8" O.C.

PRODUCT RENEWED
 ACCEPTANCE No. 01-1114-01
 EXPIRATION DATE December 10, 1998
 By [Signature]
 PRODUCT CONTROL DIVISION
 BUILDING CODE COMPLIANCE OFFICE

APPROVED AS COMPLYING WITH THE
 SOUTH FLORIDA BUILDING CODE
 DATE December 10, 1998
 BY [Signature]
 PRODUCT CONTROL DIVISION
 BUILDING CODE COMPLIANCE OFFICE
 ACCEPTANCE NO. 98-0331-01

FEB 11 2001
FRANK L. BENNARDO, P.E.
 CONSULTING ENGINEER
 4441 NORTH DIXIE HIGHWAY
 BOCA RATON, FL. 33431
 (561) 391-2888

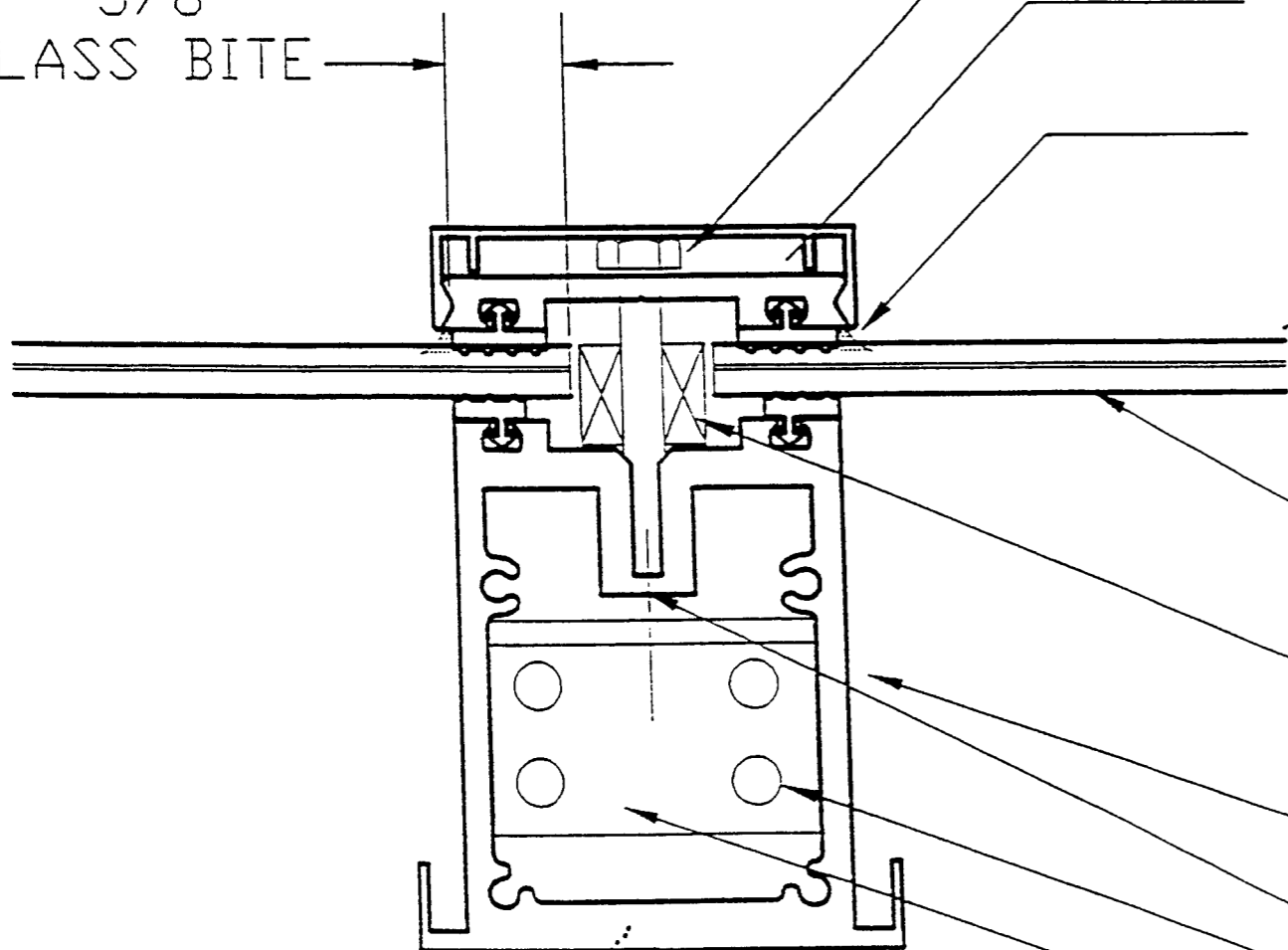
DETAIL 2
 RAFTER

* EQUIVALENT TO 6" RAFTER

FRANK L. BENNARDO, P.E. CONSULTING ENGINEER 4441 NORTH DIXIE HIGHWAY BOCA RATON, FL. 33431 (561) 391-2888	REVISION PER METRO-DADE NOTES	10/31/98
	 TriStar skylights A POTTER-ROEMER Product Group (714)998-2097 (800)609-9995	OR. 4/23/97 REV. 11/05/98
PE 0046549	MISSILE IMPACT TEST	3 OF 8

5/8"
GLASS BITE

1/4-20 ST. STL. MACHINE SCREW @ 8" OC
ALUM. PRESSURE BAR w/ E.P.D.M. GASKETS
CONT. G.E. SILPRUF SILICONE SEALANT TYP.



GLAZING PANEL

GLAZING BLOCK

ALUM. RAFTER w/ E.P.D.M. GASKETS

(3) 1-1/2 #12 TEK SCREWS

(4) #12 X 2" TEK SCREWS

1 1/2" X 2" X 1/8" THK. CLIP ANGLE

PRODUCT RENEWED

ACCEPTANCE No. 01-1114.01

EXPIRATION DATE December 10, 2006

By [Signature]
PRODUCT CONTROL DIVISION
BUILDING CODE COMPLIANCE OFFICE

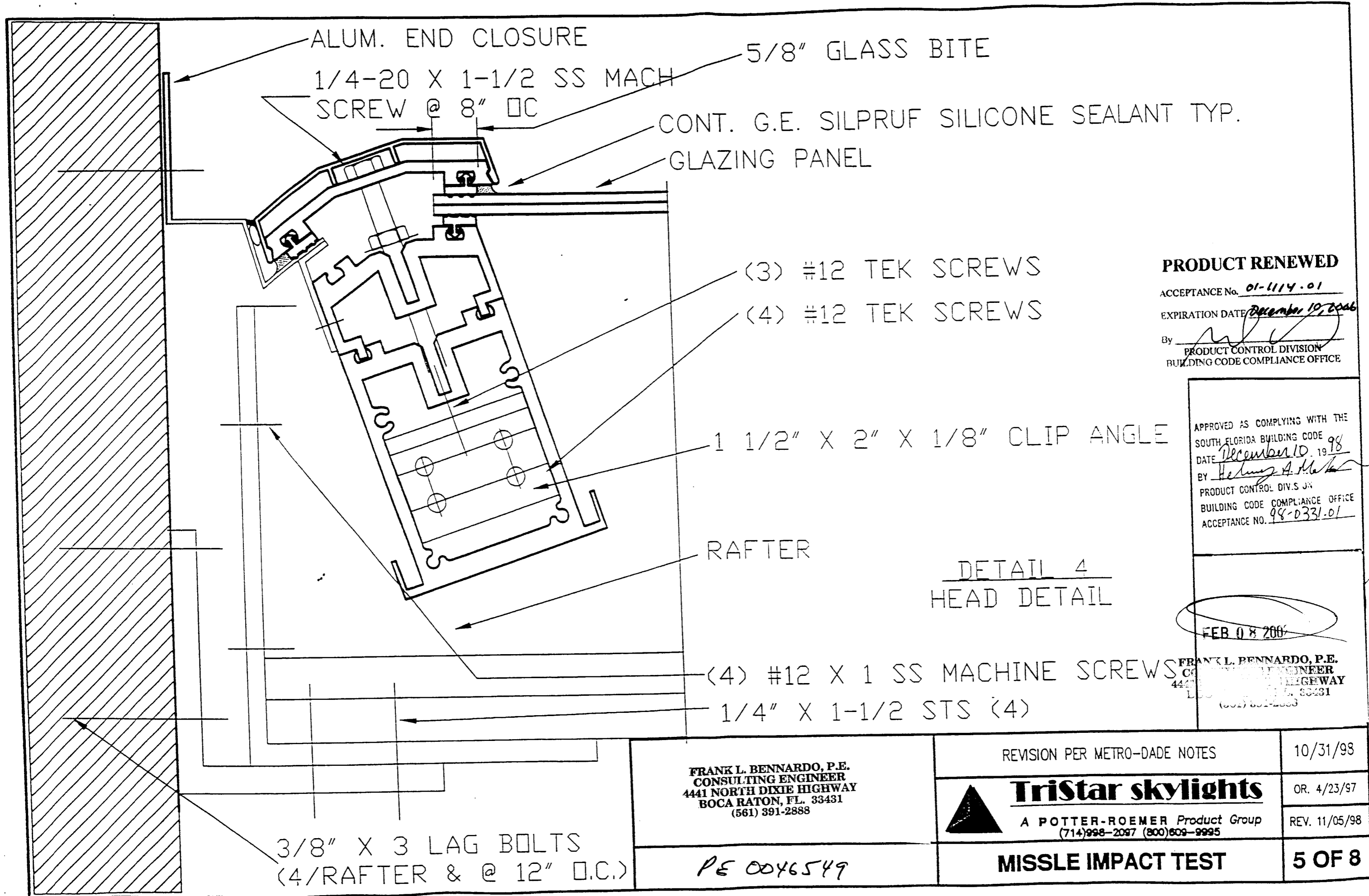
APPROVED AS COMPLYING WITH THE
SOUTH FLORIDA BUILDING CODE
DATE December 10, 1998
BY [Signature]
PRODUCT CONTROL DIVISION
BUILDING CODE COMPLIANCE OFFICE
ACCEPTANCE NO. 98-0331.01

FEB 11 2001

FRANK L. BENNARDO, P.E.
CONSULTING ENGINEER
4441 NORTH DIXIE HIGHWAY
BOCA RATON, FL. 33431
(561) 391-2888

DETAIL 3
PURLIN

<p>FRANK L. BENNARDO, P.E. CONSULTING ENGINEER 4441 NORTH DIXIE HIGHWAY BOCA RATON, FL. 33431 (561) 391-2888</p>	<p>REVISION PER METRO-DADE NOTES</p>	<p>10/31/98</p>
	<p>TriStar skylights A POTTER-ROEMER Product Group (714) 998-2097 (800) 609-9995</p>	<p>OR. 4/23/97</p>
<p>PE 0046549</p>	<p>MISSILE IMPACT TEST</p>	<p>4 OF 8</p>



PRODUCT RENEWED

ACCEPTANCE No. 01-1114.01
 EXPIRATION DATE December 10, 2006
 By [Signature]
 PRODUCT CONTROL DIVISION
 BUILDING CODE COMPLIANCE OFFICE

APPROVED AS COMPLYING WITH THE
 SOUTH FLORIDA BUILDING CODE
 DATE December 10, 1998
 BY [Signature]
 PRODUCT CONTROL DIV. S. J.
 BUILDING CODE COMPLIANCE OFFICE
 ACCEPTANCE NO. 98-0331.01

DETAIL 4
 HEAD DETAIL

FEB 08 2006

FRANK L. BENNARDO, P.E.
 CONSULTING ENGINEER
 4441 NORTH DIXIE HIGHWAY
 BOCA RATON, FL. 33431
 (561) 391-2888

FRANK L. BENNARDO, P.E.
 CONSULTING ENGINEER
 4441 NORTH DIXIE HIGHWAY
 BOCA RATON, FL. 33431
 (561) 391-2888

PE 0046549

REVISION PER METRO-DADE NOTES

10/31/98

TriStar skylights
 A POTTER-ROEMER Product Group
 (714)998-2097 (800)609-9995

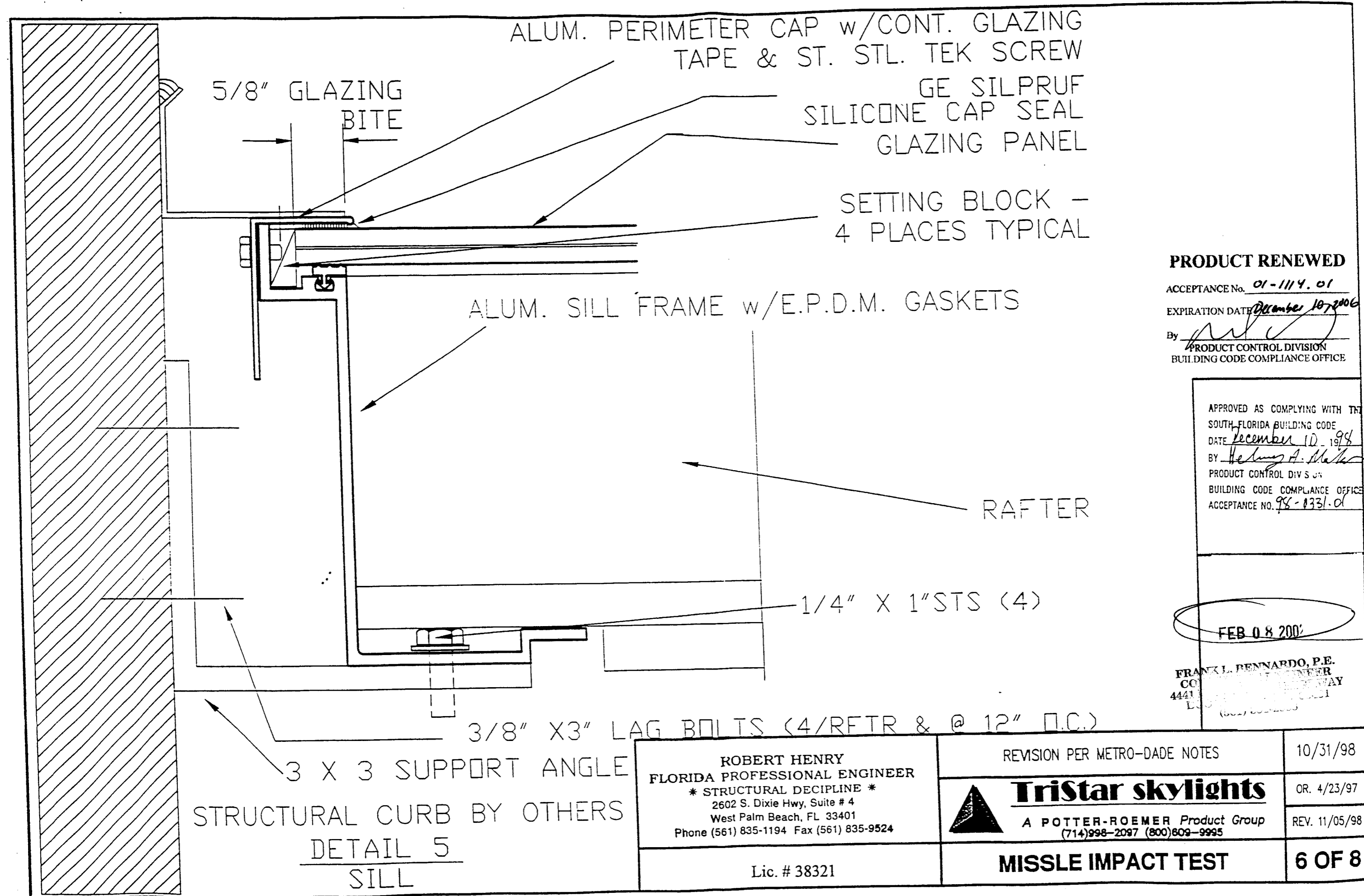
OR. 4/23/97

REV. 11/05/98

MISSILE IMPACT TEST

5 OF 8

3/8" X 3 LAG BOLTS
 (4/RAFTER & @ 12" O.C.)



PRODUCT RENEWED
 ACCEPTANCE No. 01-1114.01
 EXPIRATION DATE December 10, 2006
 By [Signature]
 PRODUCT CONTROL DIVISION
 BUILDING CODE COMPLIANCE OFFICE

APPROVED AS COMPLYING WITH THE
 SOUTH FLORIDA BUILDING CODE
 DATE December 10, 1998
 BY Helmut A. Walter
 PRODUCT CONTROL DIVISION
 BUILDING CODE COMPLIANCE OFFICE
 ACCEPTANCE NO. 98-1331.01

FEB 08 2002

FRANK L. BERNARDO, P.E.
 CONSULTING ENGINEER
 4441 [Address]
 (561) 835-1194

3 X 3 SUPPORT ANGLE
 STRUCTURAL CURB BY OTHERS
DETAIL 5
 SILL

ROBERT HENRY
 FLORIDA PROFESSIONAL ENGINEER
 * STRUCTURAL DECIPLINE *
 2602 S. Dixie Hwy, Suite # 4
 West Palm Beach, FL 33401
 Phone (561) 835-1194 Fax (561) 835-9524

Lic. # 38321

REVISION PER METRO-DADE NOTES

TriStar skylights
 A POTTER-ROEMER Product Group
 (714)998-2097 (800)609-9995

MISSILE IMPACT TEST

10/31/98

OR. 4/23/97

REV. 11/05/98

6 OF 8

1/4-20 x 1 1/2" SS MACHINE SCREW @ 8" O.C.

5/8" GLASS BITE

CONT. SILPRUF SILICONE SEALANT TYP.

GLAZING PANEL

(3) #12 X 1 1/2" TEK SCREW

(4) #12 X 2" TEK SCREW

1 1/2" X 2" X 1/8" CLIP ANGLE

(4) #12 X 1 SS MACHINE SCREWS

RAFTER

3" X 3" X 1/4" ANGLE

1/4" X 1" STS

DETAIL 6

SILL TYPE DETAIL

3/8" X 3 LAG BOLTS
(4/RAFTER & @ 12" O.C.)

PRODUCT RENEWED
ACCEPTANCE No. 01-1114.01
EXPIRATION DATE December 10, 2006
By [Signature]
PRODUCT CONTROL DIVISION
BUILDING CODE COMPLIANCE OFFICE

APPROVED AS COMPLYING WITH THE
SOUTH FLORIDA BUILDING CODE
DATE December 10, 1998
BY Helmut A. Klatka
PRODUCT CONTROL DIVISION
BUILDING CODE COMPLIANCE OFFICE
ACCEPTANCE NO. 98-0331.01

FEB 08 2001

FRANK L. BENNARDO, P.E.
CONSULTING ENGINEER
4441 NORTH DIXIE HIGHWAY
BOCA RATON, FL. 33431
(561) 391-2883

FRANK L. BENNARDO, P.E.
CONSULTING ENGINEER
4441 NORTH DIXIE HIGHWAY
BOCA RATON, FL. 33431
(561) 391-2883

REVISION PER METRO-DADE NOTES

10/31/98



TriStar skylights

OR. 4/23/97

A POTTER-ROEMER Product Group
(714)998-2097 (800)609-9995

REV. 11/05/98

PE 0046549

MISSILE IMPACT TEST

7 OF 8

Metro-Dade County Large Missile Impact Test

For

TriStar Skylights Structural Skylight System

Reference Notes:

1. Maximum design pressures are +51.38 psf and -68.5 psf.
2. All aluminum to be 6063-T5 Alloy.
3. Maximum glazing panel size is 48" X 67 5/8".
4. Glazing to be 3/8" glass-clad polycarbonate by Globe Amerada Glass Co. (Miami-Dade County Product Control Approval Number 98-0513.03).
5. Fasteners to be stainless steel.
6. Gaskets to be Arrow-Shim w/Dart EPDM with a durometer range of 50 to 60 Shore "A" from Tremco.
7. All silicon to be G.E. Silpruf.
8. All joints on pressure bar and snap cover to be siliconed.
9. A separation material is required when aluminum comes in contact with steel, wood or other dissimilar materials. The separation material shall be per Section 3004.4 of the South Florida Building Code, Miami-Dade County 1994 Edition.
10. Glazing block to be to be Neroprene 1/2" X 3" X 1/4" with a Durometer of 90.
11. This approval is limited to the glazing panel and it's maximum area, the fully assembled glazing details to the supporting rafters and purlins and the maximum qualified design pressure shown on this drawing.
12. The structural adequacy of the supporting structural members (curb, rafters, purlins and all other framing members) is not part of this approval and it shall be reviewed by the structural plans examiner of the corresponding building department on a job specific basis.


PRODUCT RENEWED

ACCEPTANCE No. 01-1114.01
 EXPIRATION DATE December 10, 2006
 By [Signature]
 PRODUCT CONTROL DIVISION
 BUILDING CODE COMPLIANCE OFFICE

APPROVED AS COMPLYING WITH THE
 SOUTH FLORIDA BUILDING CODE
 DATE December 10, 19 98
 BY [Signature]
 PRODUCT CONTROL DIVISION
 BUILDING CODE COMPLIANCE OFFICE
 ACCEPTANCE NO. 98-0331-01

FEB 11 2001

FRANK L. BENNARDO, P.E.
 CONSULTING ENGINEER
 4441 NORTH DIXIE HIGHWAY
 BOCA RATON, FL. 33431
 (561) 391-2888

FRANK L. BENNARDO, P.E. CONSULTING ENGINEER 4441 NORTH DIXIE HIGHWAY BOCA RATON, FL. 33431 (561) 391-2888	REVISION PER METRO-DADE NOTES	10/31/98
	 TriStar skylights A POTTER-ROEMER Product Group (714)998-2097 (800)809-9995	OR. 4/23/97 REV. 11/05/98
PE 0046549	MISSILE IMPACT TEST	8 OF 8